

## AdBlue® dispenser AT30/U series



---

AdBlue® dispenser available in single, alternate or double version.

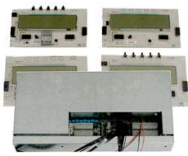
The AT30/LV/U dispenser is achieved with housing in steel AISI 304, internal piping in AISI 316 and group electronic measurement with no moving parts.

The dispenser ensures high quality and reliability, as the result of a consolidated experience and continuous technological updating.

Conforms to the requirements of ISO22241.

*AdBlue® is a registered trademark of the VDA (Verband der Automobilindustrie)*

---



Electronic head made by Coptron. It has indicators with 25 mm high digits, LED backlit, electromechanical 7-digit totalizer and electronic 7-digit volume with 2 decimals. It has correct pulse output for remotization, connection to a host via serial line, WiFi devices or GPRS modems, stock management produced by a probe with continuous measurement and low levels. It is designed for product temperature compensation (-10 +40) as per API-STM-IP table 53B.



Electronic meter.

**Technical specifications**

Max operating pressure 6 bar  
 Accuracy ± 0,5  
 Fluid contact materials AISI 316, PFA



Submersible pump for AdBlue® (accessory not supplied with the dispenser). Internal parts completely in AISI 304 stainless steel. Alternatively, remote self-priming 230 VAC multistage pump with 3 impellers in AISI 304 stainless steel.

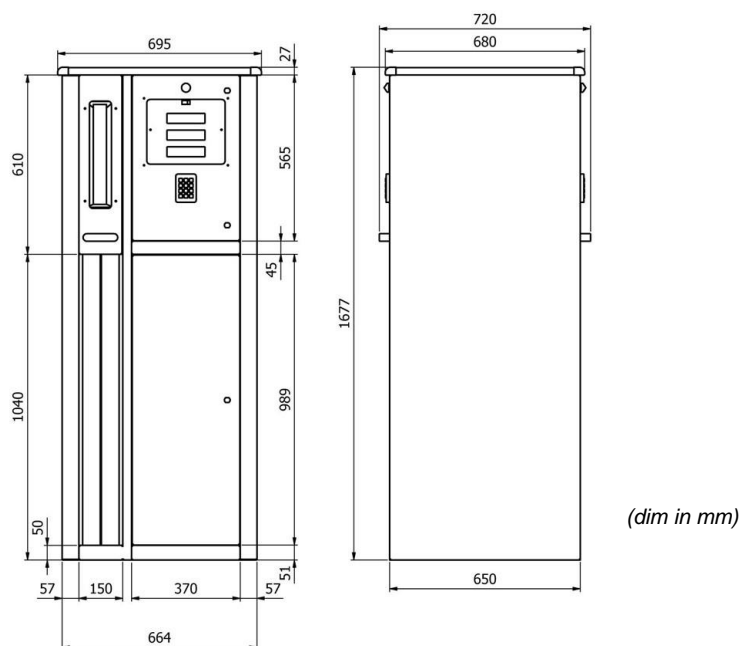
**Technical specifications**

	AT02607	AT20716	ATE00112
Max flow rate	70 l/min / 140 l/min	100 l/min	-
Electrical motor (three-phase)	400 VCA 50 Hz	230 VCA 50 Hz	230 VCA 50 Hz
Electric protection	By the customer	Integrated thermal protection	By the customer

**Characteristics**

- Structure Stainless steel
- Internal pipes AISI 316 stainless steel
- Delivery hose Elaflex for AdBlue®
- Delivery nozzle Elaflex ZVA AdBlue® LV automatic type for light vehicles, ZVA AdBlue® HV automatic type for heavy vehicles
- Computing head CPTH02, with backlit LCD display, 6 digit height 1"
- Accuracy ± 0,5% (MID Compliant)
- Heater Included (150 W)
- Flow rate 4÷40 l/min (heavy vehicles), 2÷10 l/min (light vehicles)
- Ambient temperature -25°C ÷ +55°C (for temperatures below -10 ° C the additional heater kit is required)
- Marking CE-M EU Type Approval No. T10821 (MID 2014/32/UE)

**Dimensions**



Specification subject to change without notice